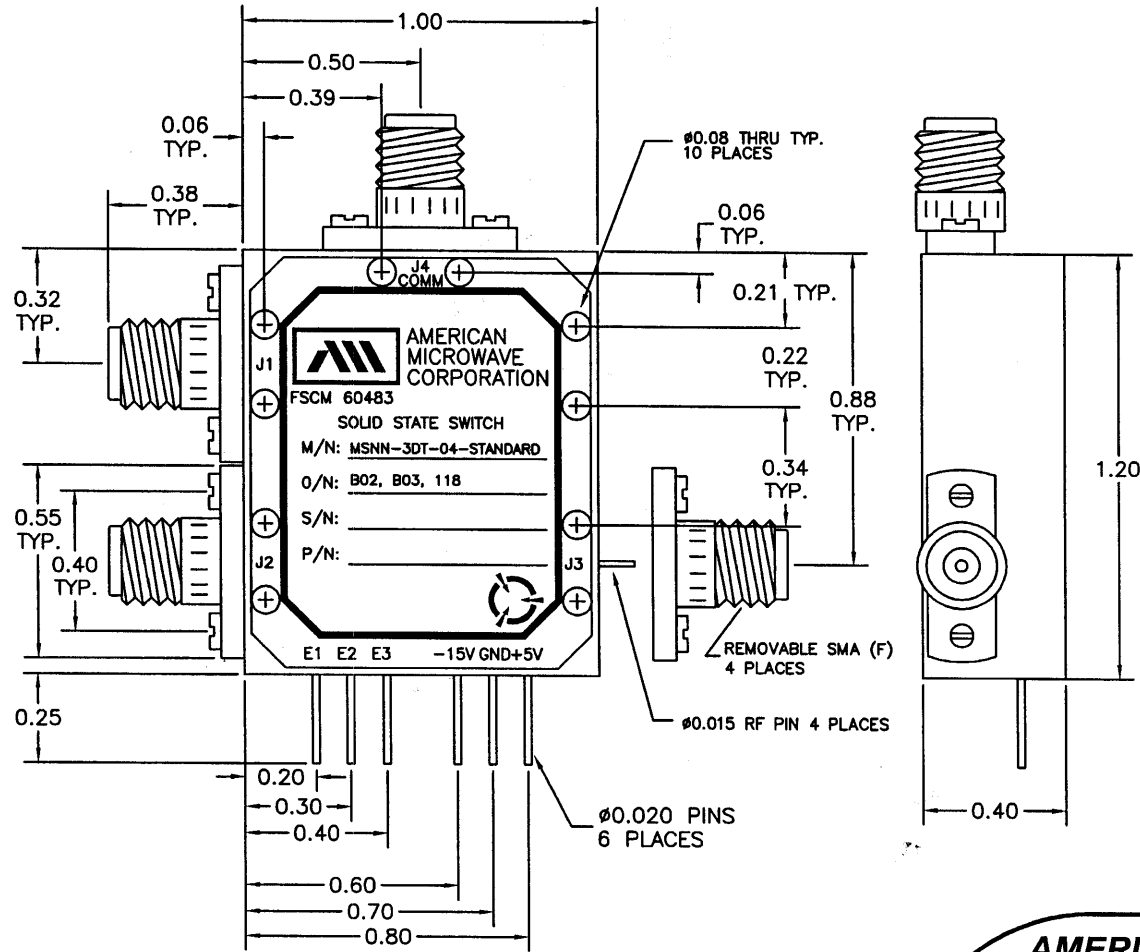


DESCRIPTION

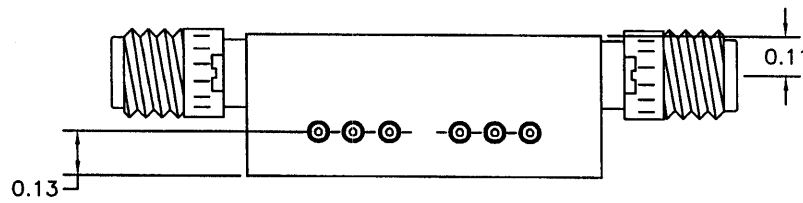
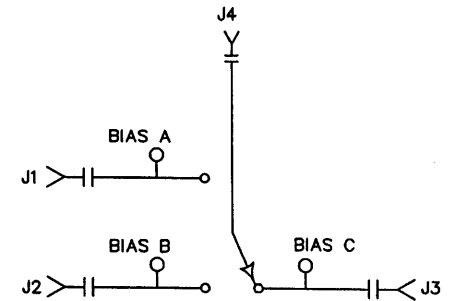
AMC MODEL MSNN-3DT-04T-STANDARD OPTIONS B02, B03, 118 IS A SINGLE POLE THREE THROW, NON-REFLECTIVE/ABSORPTIVE SWITCH MODULE WITH LOW INSERTION LOSS, HIGH SPEED, HIGH ISOLATION AND WITH INTEGRAL TTL DRIVER, DESIGNED FOR 1 GHz TO 18 GHz OPERATION WITH INVERTED LOGIC.

REVISIONS				
ZONE	REV.	DESCRIPTION	DATE	APPROVED
	-	ORIGINAL RELEASE JOB# 901004E	10/05/00	<i>Esc</i>



MECHANICAL OUTLINE

BLOCK DIAGRAM



M/N=MODEL NUMBER
O/N=OPTION NUMBER
S/N=SERIAL NUMBER
P/N=PART NUMBER

ALL DIMENSIONS ARE IN INCHES
TOLERANCES:
X.XX ±0.020
X.XXX ±0.010

AMERICAN MICROWAVE CORPORATION

7311-G GROVE ROAD
FREDERICK, MARYLAND 21704 USA
TEL: 301-662-4700 FAX: 301-662-4938
WEBSITE: www.americanmicrowavecorp.com
E-MAIL: sales@americanmicrowavecorp.com
ISO 9001:2000 CERTIFIED



APPROVALS		DATE	TITLE		
DRAWN <i>WSP & RRA</i>		10/05/00	MECHANICAL OUTLINE MSNN-3DT-04T-STANDARD OPTION: B02, B03, 118 1 TO 18 GHz, SINGLE POLE THREE THROW SWITCH		
REDRAWN <i>JDJ</i>		9/13/04	SIZE A	FSCM NO. 60483	DWG NO. 100-4391-5
ISSUED <i>As</i>		10/6/04	SCALE N:S		SHEET 2 OF 3

DESCRIPTION

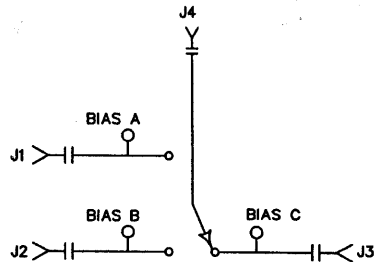
AMC MODEL MSNN-3DT-04T-STANDARD OPTIONS B02, B03, 118 IS A SINGLE POLE THREE THROW, NON-REFLECTIVE/ABSORPTIVE SWITCH MODULE WITH LOW INSERTION LOSS, HIGH SPEED, HIGH ISOLATION AND WITH INTEGRAL TTL DRIVER, DESIGNED FOR 1 GHz TO 18 GHz OPERATION WITH INVERTED LOGIC.

SPECIFICATIONS:

- FREQUENCY: 1 GHz TO 18 GHz
- INSERTION LOSS: ABSORPTIVE: 3.75db
- ISOLATION: 1 GHz TO 2 GHz: 60db
2 GHz TO 18 GHz: 70db
- VSWR: ABSORPTIVE IN/OUT: 2.0:1
ABSORPTIVE OUT/OFF: 2.0:1
- SPEED: RISE: 10ns TYPICAL, 15ns MAX.
FALL: 10ns TYPICAL, 15ns MAX.
DELAY ON: 75ns TYPICAL, 100ns MAX.
DELAY OFF: 75ns TYPICAL, 100ns MAX.
- POWER INPUT: (CW)+20dBm (STANDARD), +10 dBm (HIGH SPEED)
- SURVIVAL POWER: 1 WATT CW, 10 WATTS PEAK 1 usec
- CONTROL: TTL LOGIC "1"=ON "0"=OFF
- POWER SUPPLY: +5V @ 150 mA MAX.
-15V@ 100mA MAX.(ABSORPTIVE/NON-REFLECTIVE)
- SIZE 1.2" (L) X 1.0" (W) X 0.4" (H)
- WEIGHT 1.5 OZ. TYPICAL

M/N=MODEL NUMBER
O/N=OPTION NUMBER
S/N=SERIAL NUMBER
P/N=PART NUMBER

BLOCK DIAGRAM



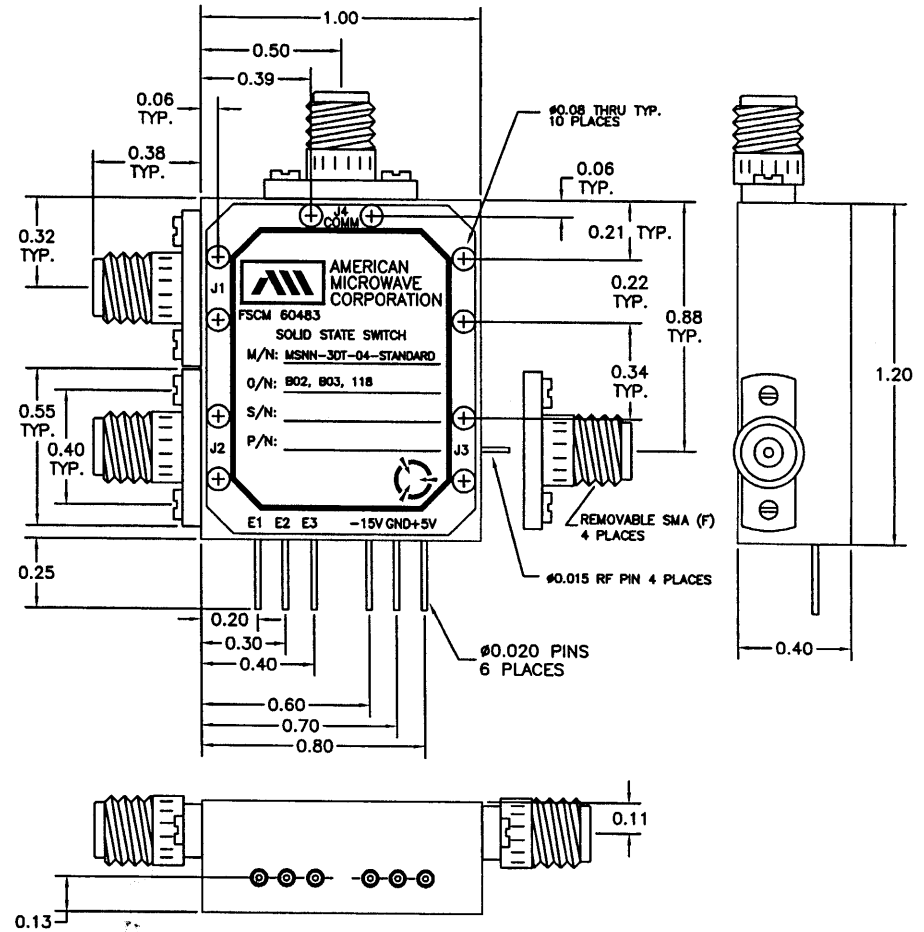
ENVIRONMENTAL RATINGS

- TEMPERATURE: -55°C TO +85°C (OPERATING)
-65°C TO +125°C (STORAGE)
- HUMIDITY: MIL-STD-202F, METHOD 103B COND. B
- SHOCK: MIL-STD-202F, METHOD 213B COND. B
- VIBRATION: MIL-STD-202F, METHOD 204D COND. B
- ALTITUDE: MIL-STD-202F, METHOD 105C COND. B
- TEMPERATURE CYCLE: MIL-STD-202F, METHOD 107D COND. A

NOTE: SPECIFICATIONS WILL VARY OVER OPERATING TEMPERATURE
NOTE: THE ABOVE SPECIFICATIONS ARE SUBJECT TO CHANGE OR REVISION

ALL DIMENSIONS ARE IN INCHES
TOLERANCES:
X.XX ±0.020
X.XXX ±0.010

REVISIONS				
ZONE	REV.	DESCRIPTION	DATE	APPROVED
	-	ORIGINAL RELEASE JOB# 901004E	10/05/00	EC



AMERICAN MICROWAVE CORPORATION

7311-G GROVE ROAD
FREDERICK, MARYLAND 21704 USA
TEL: 301-662-4700 FAX: 301-662-4938
WEBSITE: www.americanmicrowavecorp.com
E-MAIL: sales@americanmicrowavecorp.com
ISO 9001:2000 CERTIFIED



APPROVALS		DATE	TITLE	
DRAWN	WSP & RRA	10/05/00	PRODUCT FEATURE MSNN-3DT-04T-STANDARD OPTION: B02, B03, 118 1 TO 18 GHz, SINGLE POLE THREE THROW SWITCH	
REDRAWN	JDJ	9/13/04	SIZE	FSCM NO.
ISSUED	DA	12/6/04	A	60483
			DWG NO.	100-4391-5
			SCALE	N:S
			SHEET	1 OF 3